

Item No: VNF-00006

Item name: Versanora-Cubo Stacking
Storage Unit-A

VERSANORA

Warning

Small parts and sharp points may be present prior to assembly.
Please follow the assembly instructions closely. Improper assembly can result in personal or property damage.
2 adults are required to safely assemble this product.

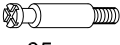
Care Instructions

To clean your product, Please use a dry or damp soft cloth. Do not use window cleaners or cleaning abrasives as they will scratch the surface and could damage the protective coating.
Periodically check and tighten hardware as necessary.


Customer Service

For questions regarding this product, or to receive replacement or missing parts, please contact customer service based on your location. Please have ready the model number and part number(s) located in this assembly instruction sheet when you contact us.
www.teamson.com



HARDWARES:

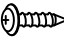
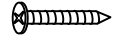
A  14 PCS
35mm

B  14 PCS
Ø15x10mm

C  4 PCS
Ø6x30mm

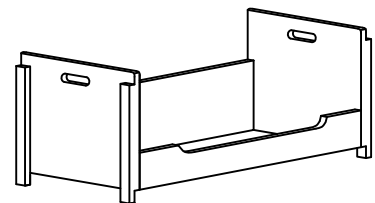
Anti-Tip hardware

D  4 PCS **H**  2 PCS
Ø3x10mm

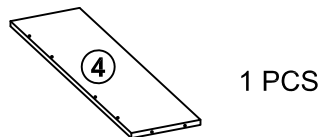
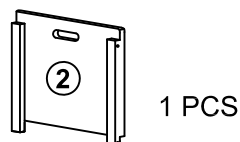
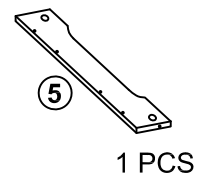
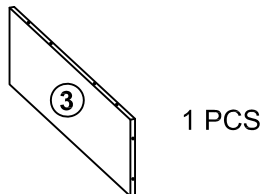
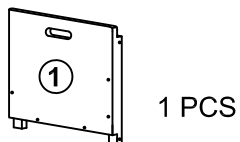
E  2 PCS **I**  2 PCS
Ø3x12mm Ø3.5x35mm

F  2 PCS **J**  2 PCS

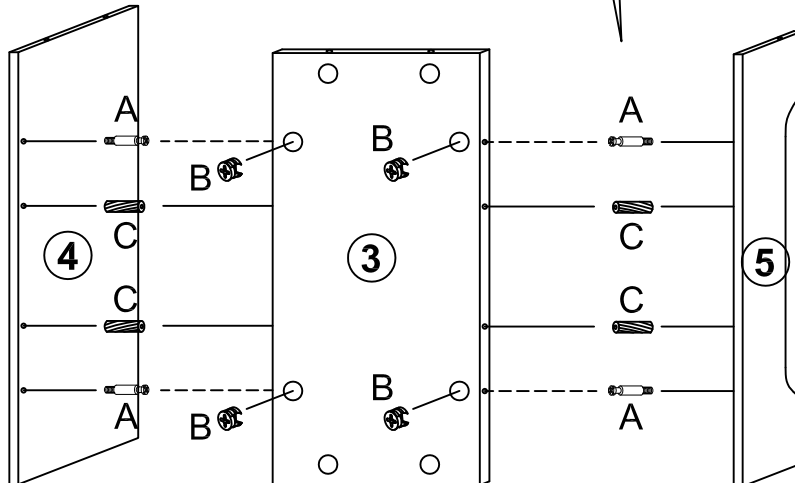
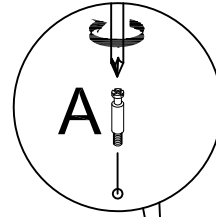
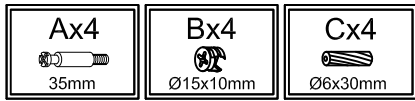
G  2 PCS
170mm



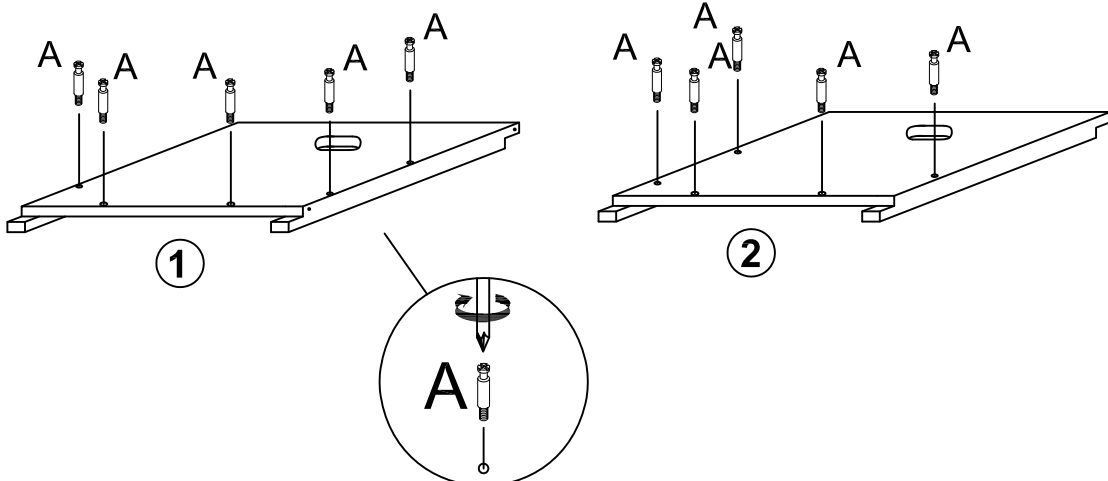
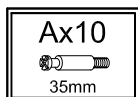
PRODUCT PARTS:



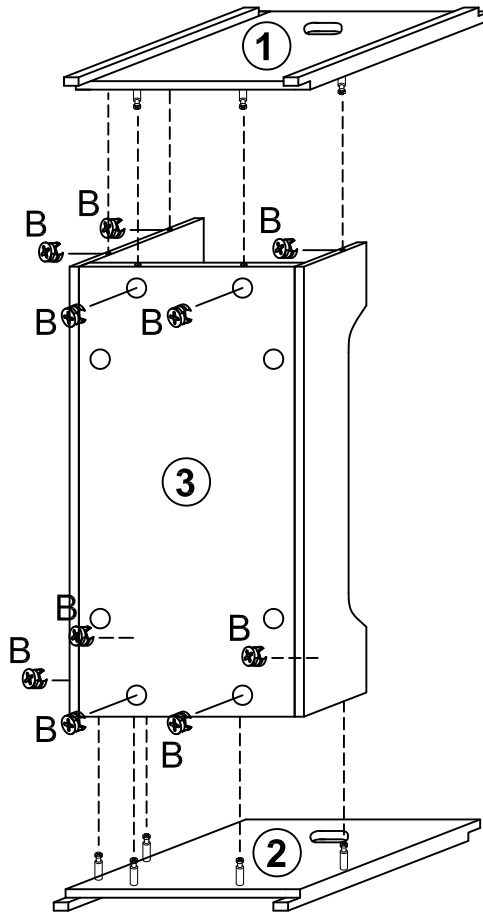
Step:1



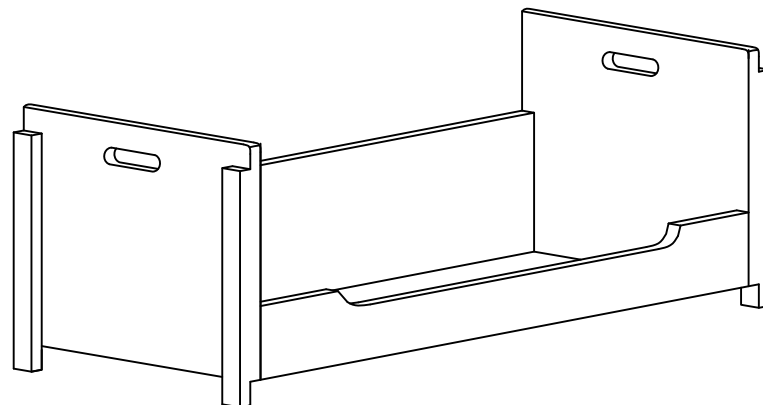
Step:2



Step:3



Step:4



Anti-Tip hardware instruction

If you purchase two pieces and stack them, for safety reason, we strongly suggest to assemble the connector and anti-tip hardware as below:

