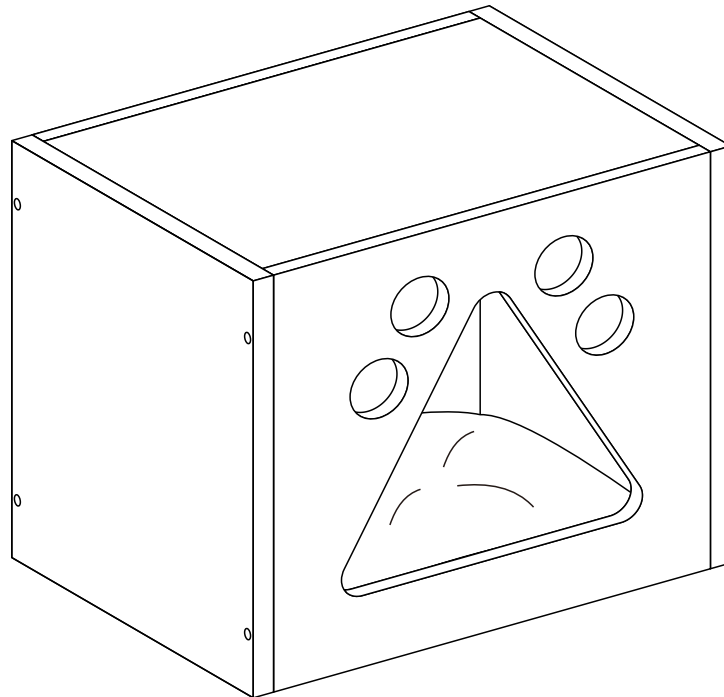


## ASSEMBLY INSTRUCTIONS

### Cat Box



Please provide the following information when contacting for parts or questions: the name of the company you purchased from, the UPS/FedEx tracking number

This product comes with a 1 year warranty. Products purchased second hand/used are not covered under the warranty.

#### ASSEMBLY INSTRUCTIONS-IMPORTANT

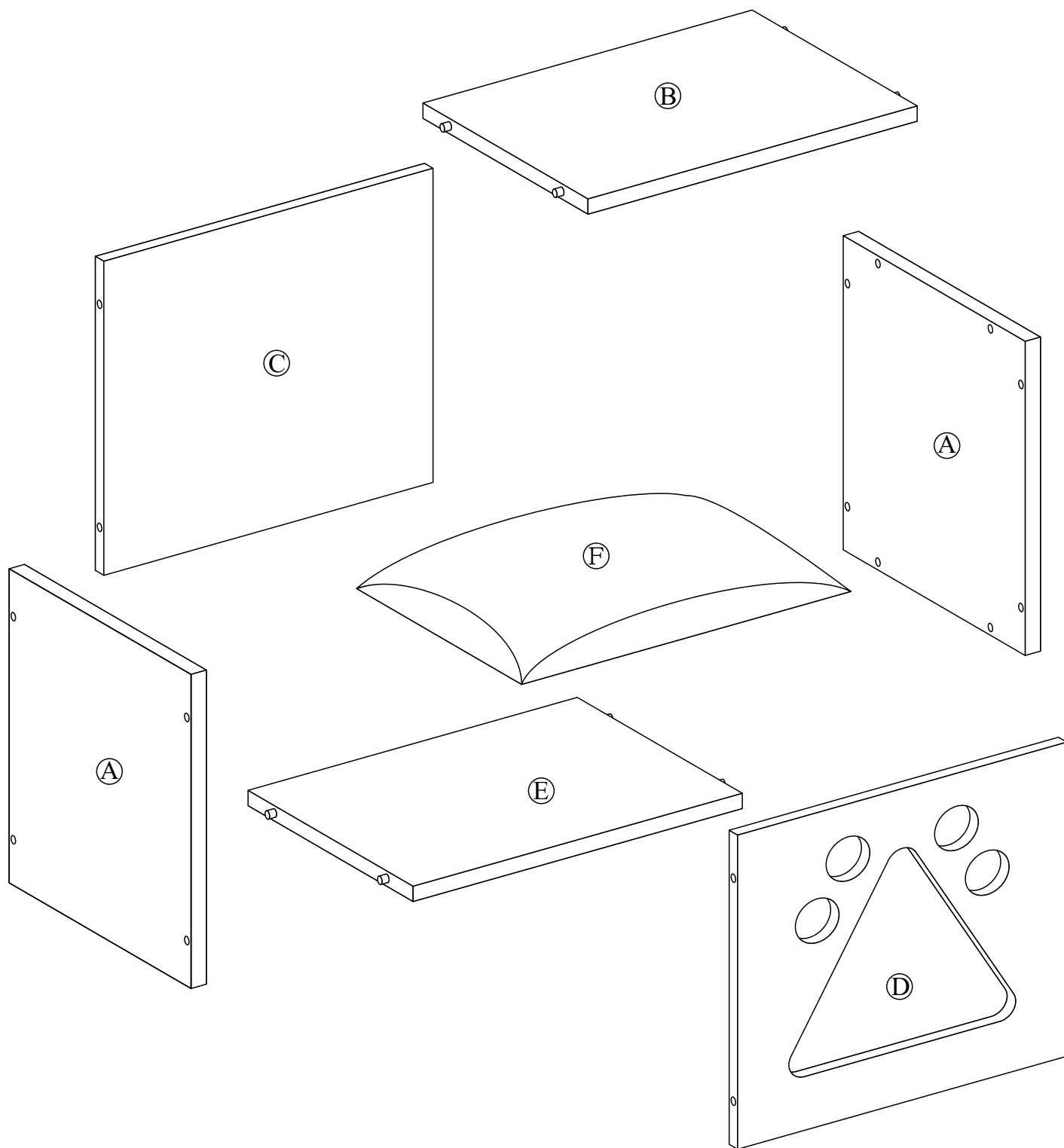
Carefully unpack & identify each component before attempting to assemble. Refer to parts list. Please take care when assembling the unit and always set the parts on a clean, soft surface. If you require any assistance with assembly, parts, please call the company you place order with or please email to: [service@eleganthf.net](mailto:service@eleganthf.net)

#### INSTRUCCIONES PARA ARMAR-IMPORANT:

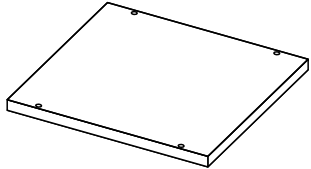
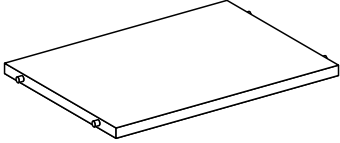
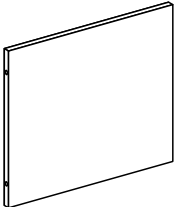
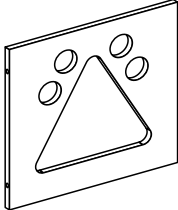
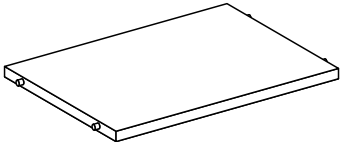
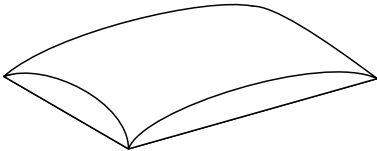
Desempaque cuidadosamente e identifique cada componente antes de tartar de empezar su ensambladura. Verifique la lista de partes. Por favor tenga cuidado cuando arme la unidad y siempre coloque las piezas sobre una superficie plana, suave y limpia. Si necesita ayuda con el armado, envíe un correo electzórico a [service@eleganthf.net](mailto:service@eleganthf.net)

#### DIRECTIVES DE MONTAGE-IMPORTANT:


Avant de commencer l' assemblage, déballez délicatement toutes les pièces et repérez-les sur la liste des pièces. Procédez avec soins durant l' assemblage et posez toujours les pièces sur une surface proper, douce et lisse. sie vouo plait e-mail á [service@eleganthf.net](mailto:service@eleganthf.net)



# COMPONENTS

PART	FIGURE	DESCRIPTION	QTY
A		SIDE PANEL	2PCS
B		TOP PANEL	1PC
C		BACK PANEL	1PC
D		FACE PANEL	1PC
E		BOTTOM PANEL	1PC
F		CUSHION	1PC

# HARDWARE & TOOLS

PART	FIGURE	DESCRIPTION	QTY
1	 Ø3.5*35	SCREW	8PCS

## TOOL NEEDED:



**PHILIPS SCREWDRIVER REQUIRED  
- NOT INCLUDED**

## SUGGESTION:



**TWO PEOPLE FOR ASSEMBLING**

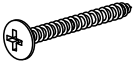


## WARNINGS:

1. DO NOT LET ANY SHARP OBJECTS TOUCH OR RUB THE SURFACE OF THE PRODUCT.
2. WHEN ASSEMBLING, DO NOT LET CHILDREN PLAY AROUND THE WORKING AREA.
3. PLEASE CONFIRM ALL PARTS ARE CORRECT BEFORE STARTING THE ASSEMBLY PROCESS.
4. DO NOT TIGHTEN ALL BOLTS AND SCREWS COMPLETELY UNTIL THE ENTIRE UNIT HAS BEEN ASSEMBLED AND SET UP.

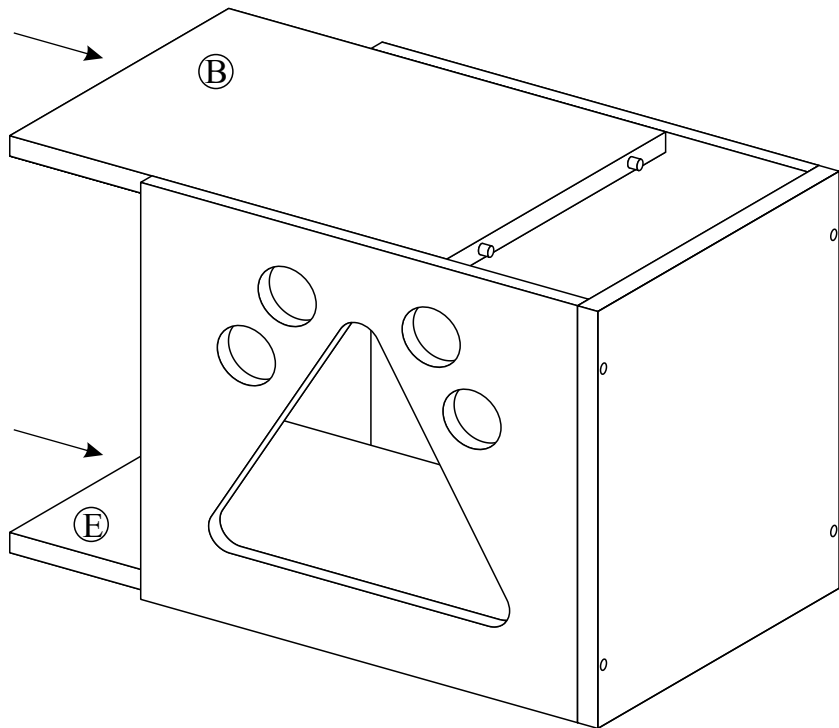
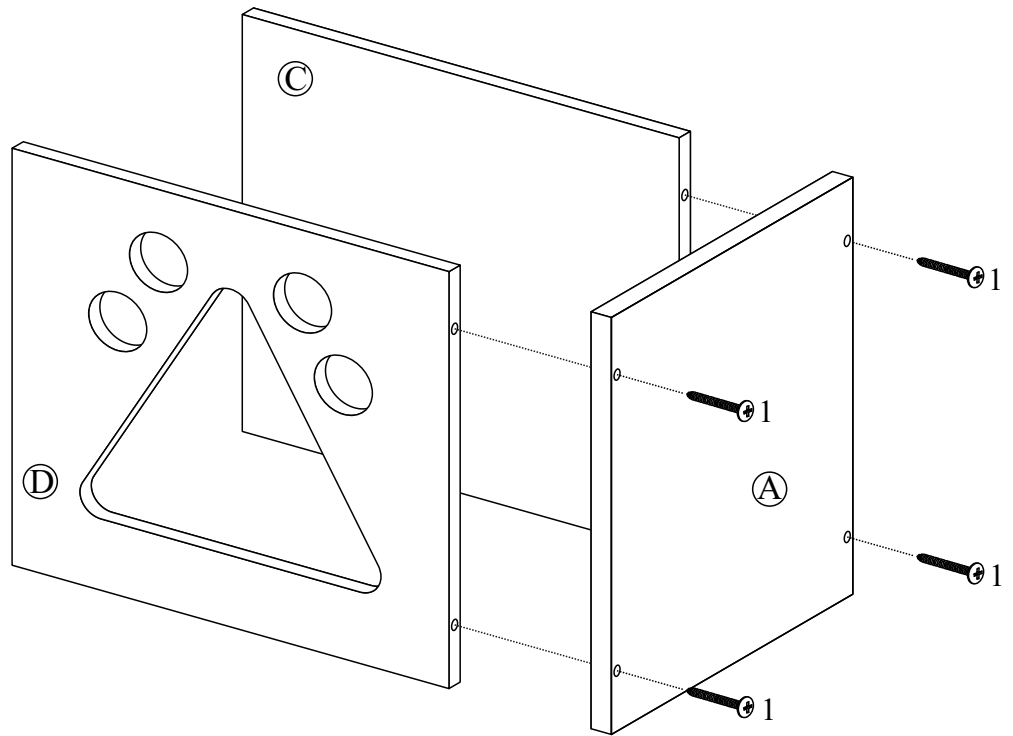
# 1

1



4 PCS

Ø3.5\*35



### STEP 1:

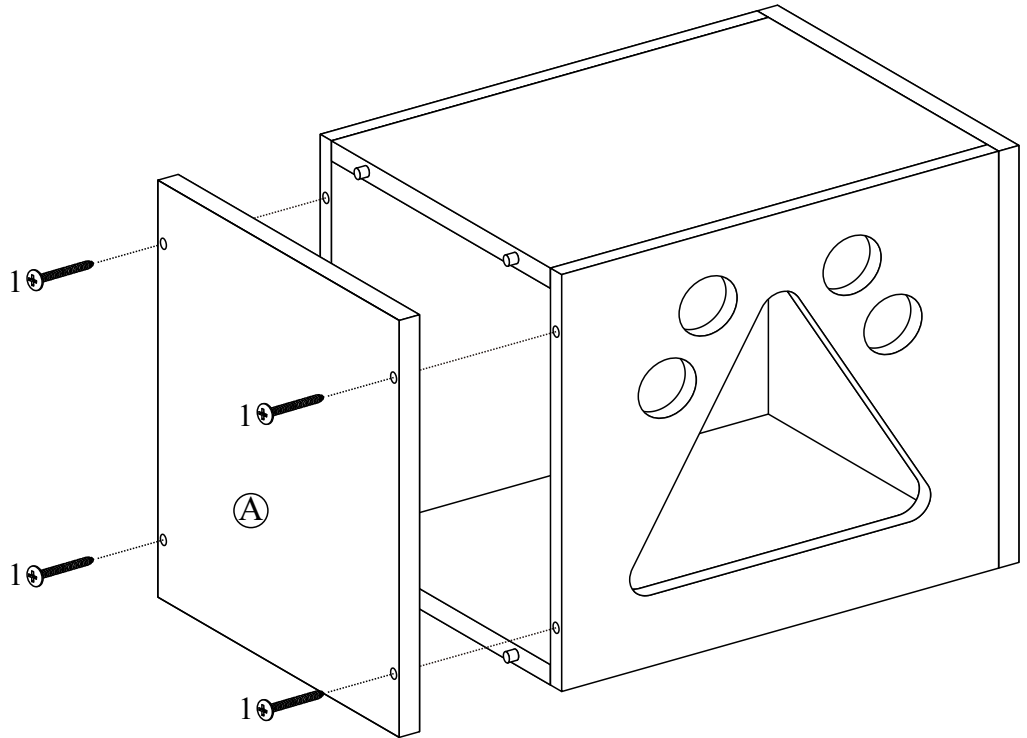
1. Attach panel A to parts C & D with screws (1) as indicated.
2. Attach parts B & E to panel A with preassembled dowels as indicated.

2

1



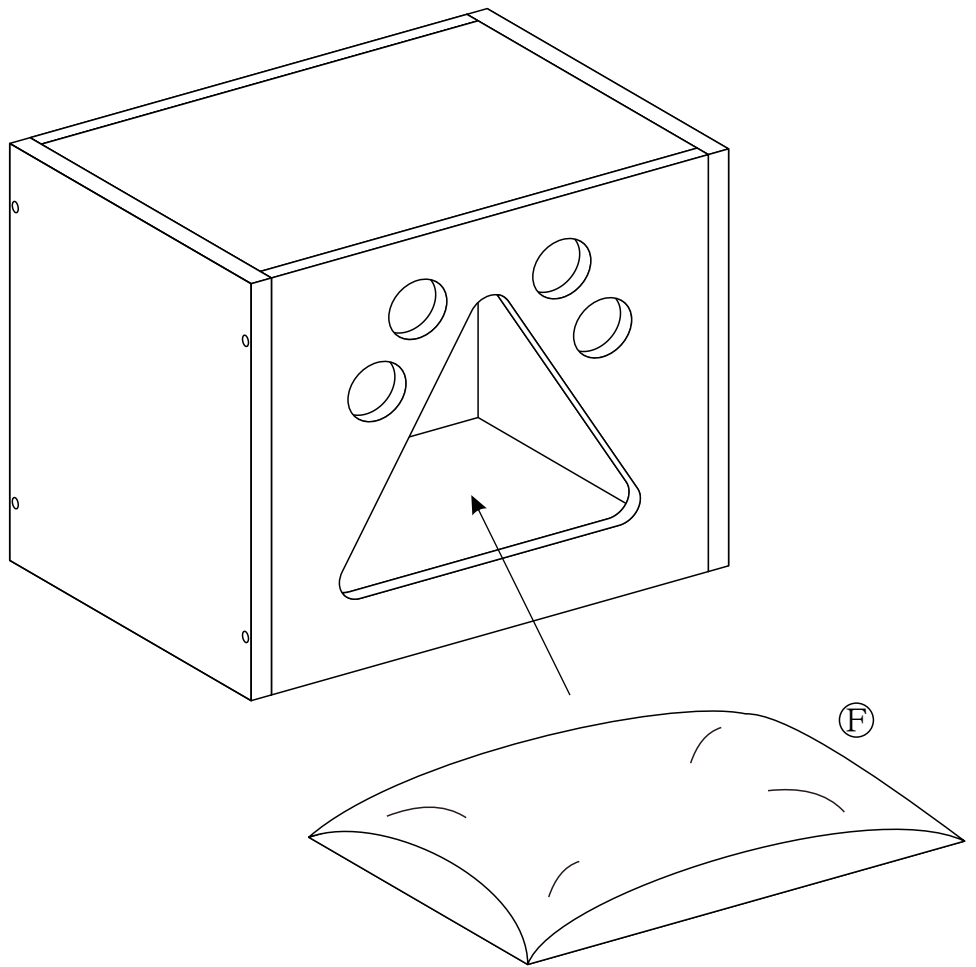
6 PCS Ø3.5\*35



STEP 2:

1. Attach panel A to panel C & D with screws (1) as indicated.

3



**STEP 3:**

1. Put the cushion F to the box as indicated.