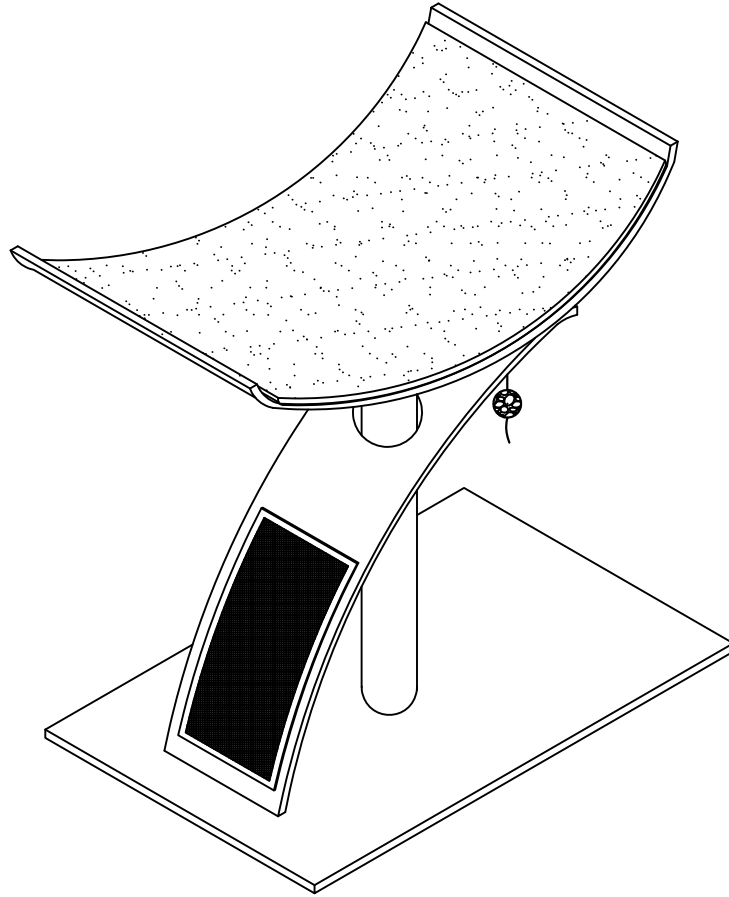


EHF

ASSEMBLY INSTRUCTIONS

Cat climbing rest scratcher



Please provide the following information when contacting for parts or questions: the name of the company you purchased from, the purchase order number, and the original order date.

ASSEMBLY INSTRUCTIONS-IMPORTANT

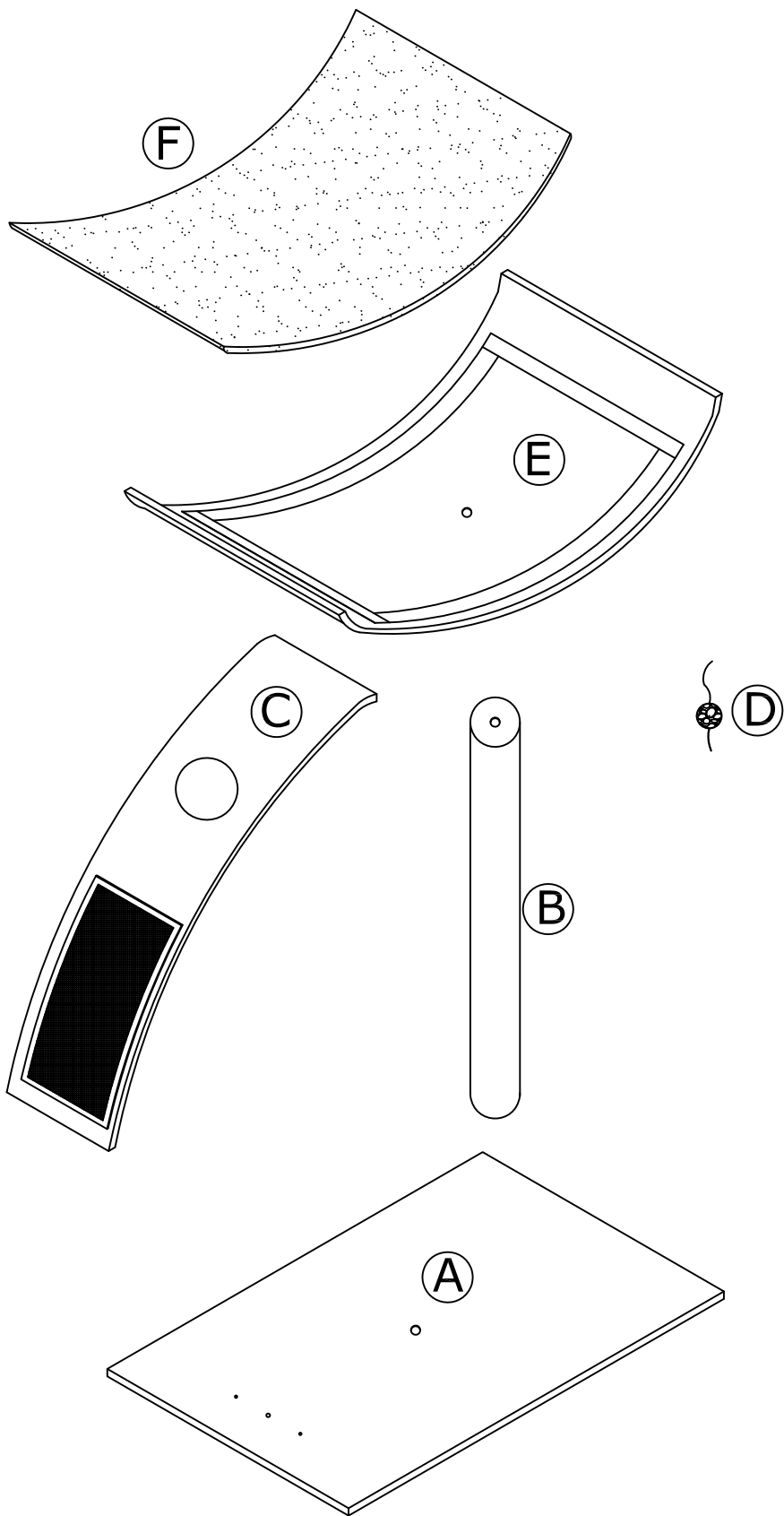
Carefully unpack & identify each component before attempting to assemble. Refer to parts list. Please take care when assembling the unit and always set the parts on a clean, soft surface. If you require any assistance with assembly, parts, please call the company you place order with or please email to: service@eleganthf.net

INSTRUCCIONES PARA ARMAR-IMPORANT:

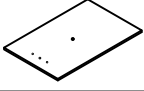



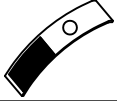

Desempaque cuidadosamente e identifique cada componente antes de tartar de empezar su ensambladura. Verifique la lista de partes. Por favor tenga cuidado cuando arme la unidad y siempre coloque las piezas sobre una superficie plana, suave y limpia. Si necesita ayuda con el armado, envíe un correo electzórico a service@eleganthf.net

DIRECTIVES DE MONTAGE-IMPORTANT:


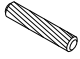



Avant de commencer l' assemblage, déballez délicatement toutes les pièces et repérez-les sur la liste des pièces. Procédez avec soins durant l' assemblage et posez toujours les pièces sur une surface proper, douce et lisse. sie vouo plait e-mail á service@eleganthf.net



COMPONENTS

PART	FIGURE	DESCRIPTION	QTY	PART	FIGURE	DESCRIPTION	QTY
A		BOTTOM PANEL	1PC	D		TOY BALL	1PC
B		CENTER PILLAR	1PC	E		LYING BOARD	1PC
C		CLIMBING BOARD	1PC	F		CUSHION	1PC

HARDWARE & TOOLS

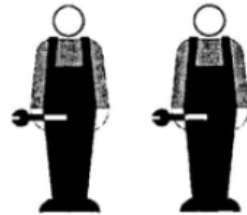
PART	FIGURE	DESCRIPTION	QTY	PART	FIGURE	DESCRIPTION	QTY
1	 ø8*68	BOLT	2PCS	4	 ø6*30	WOODEN DOWEL	1PC
2		WASHER	2PCS	5		FELT	5PCS
3	 ø4*25	SCREW	2PCS				

TOOL NEEDED:



**PHILIPS SCREWDRIVER REQUIRED
- NOT INCLUDED**

SUGGESTION:



TWO PEOPLE FOR ASSEMBLING



WARNINGS:

1. DO NOT LET ANY SHARP OBJECTS TOUCH OR RUB THE SURFACE OF THE PRODUCT.
2. WHEN ASSEMBLING, DO NOT LET CHILDREN PLAY AROUND THE WORKING AREA.
3. PLEASE CONFIRM ALL PARTS ARE CORRECT BEFORE STARTING THE ASSEMBLY PROCESS.
4. DO NOT TIGHTEN ALL BOLTS AND SCREWS COMPLETELY UNTIL THE ENTIRE UNIT HAS BEEN ASSEMBLED AND SET UP.

1

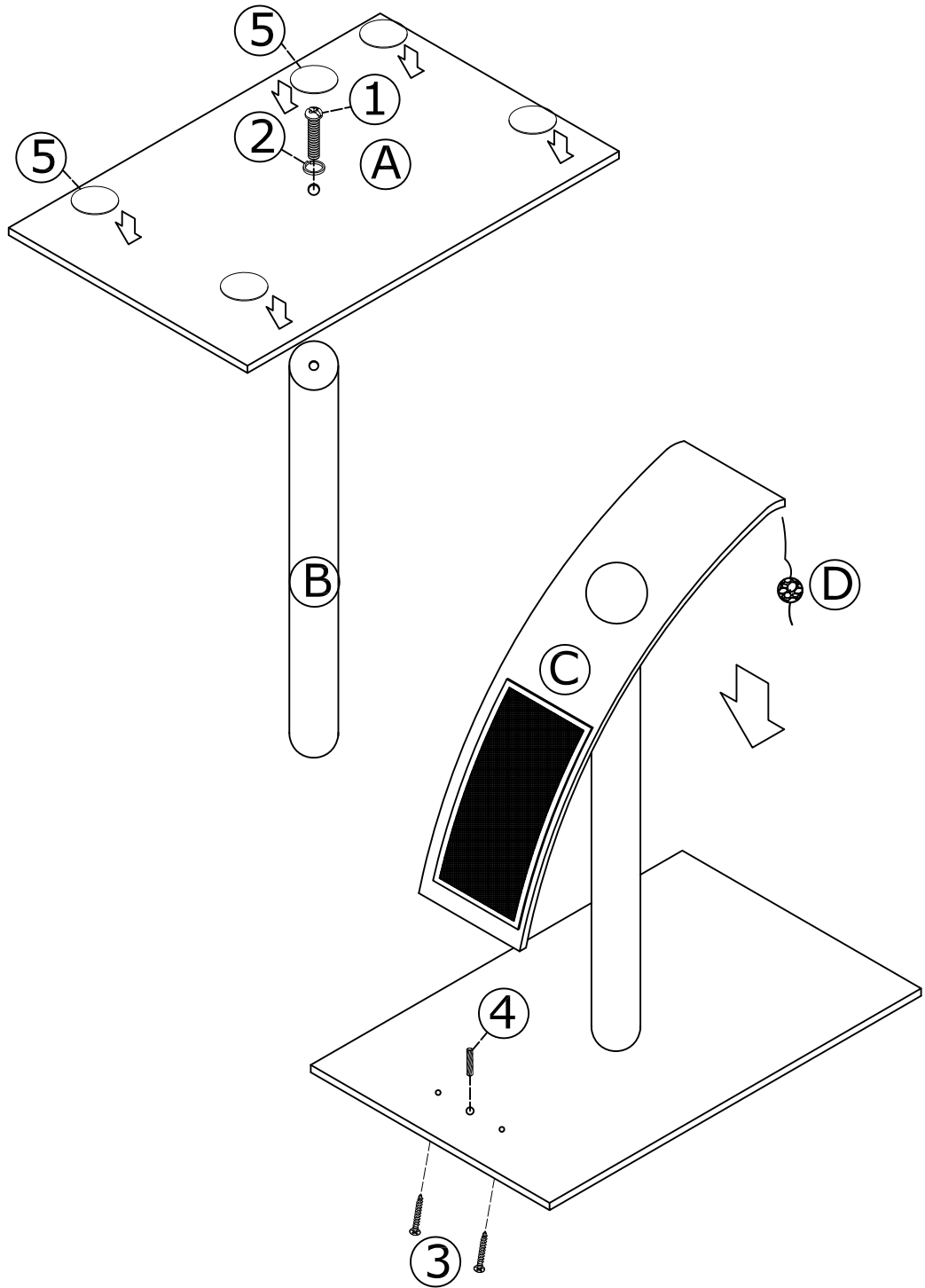
1
1 PC $\phi 8 \times 68$

2
1 PC

3
2 PCS $\phi 4 \times 25$

4
1 PC $\phi 6 \times 30$

5
5 PCS



STEP 1:

1. Attach panel A to center pillar B with screwing washer (2) & bolt (1) as indicated.
2. Attach 5 felts as indicated.
3. Insert dowel (4) to the bottom panel A and attach climbing board C through the center pillar B with screwing screws (3) as indicated.
4. Tie up the toy ball D to the top of climbing board C.

2

1

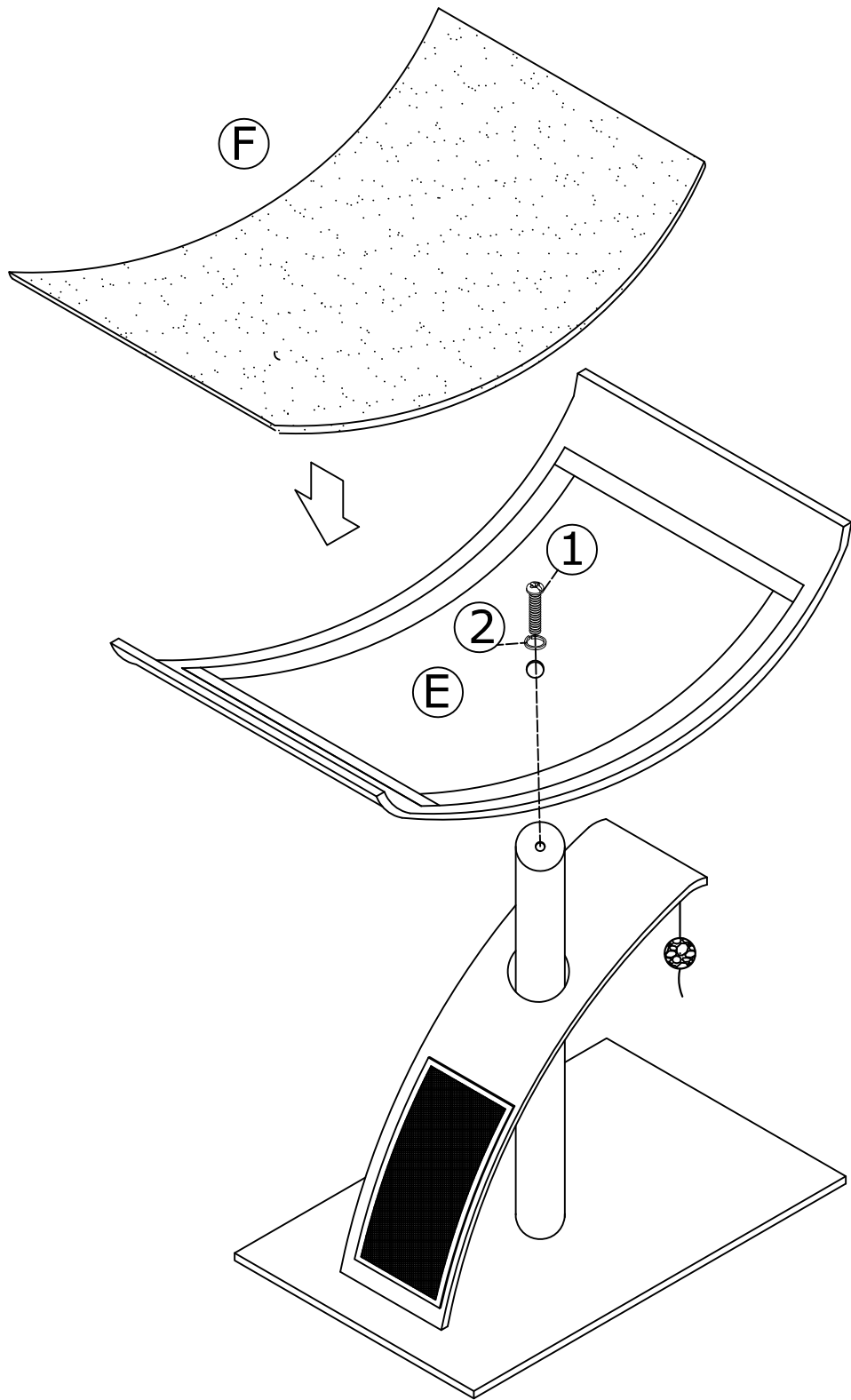


1 PC

2



1 PC



STEP 2:

1. Attach lying board E to the center pillar B with screwing washer (2) & bolt (1) as indicated.
2. Cover the cushion F to the top of lying board as indicated .